

## IWPR

Pico Racing Fuel Injector  
Up to 1.0 MPa - Up to 1.0 L/min

### Description

IWPR injector has been developed to meet the market requirements for a cheap and reliable injector for medium & low level race injection systems.

It is available in the basic configuration, customized in spray shape and in fuel flow and selected in narrow precision classes.

### Main Features

- Delivery pressure range 0.3 to 1(\*) MPa
- Static flow range 0.15 to 1.0 L/min
- Driver current 0.8 A

(\*) > 0.8 MPa with supply voltage > 8 V



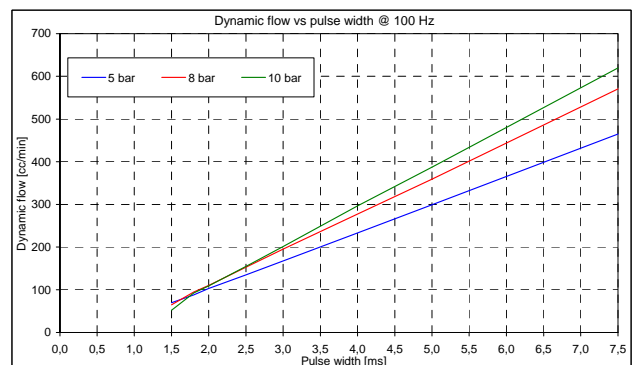
### Benefits

- Multihole spray shaping
- Under request, custom spray configuration can be studied
- On/Off driven
- High precision
- Can be used also with methanol
- Small dimension & weight

### Typical Applications

In circuit and rallies medium & low level application  
Race motorcycle application

### Typical Performance



# INJECTORS

## IWPR

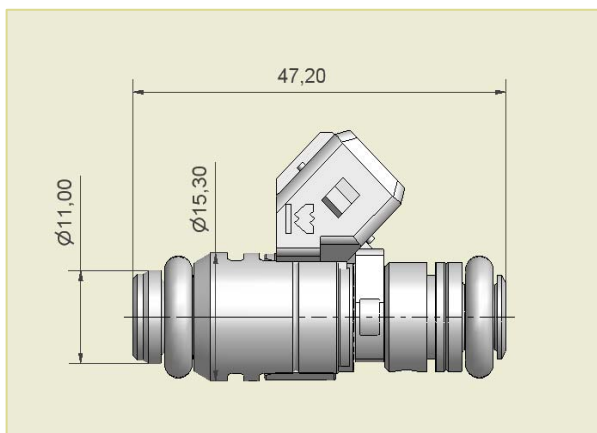
Pico Racing Fuel Injector  
Up to 1.0 MPa - Up to 1.0 L/min

### Technical Characteristics

Delivery pressure range.....	0.3 to 1(*)	MPa
Static flow range .....	0.15 to 1.0	L/min
Driver current .....	0.8	A
Single Jet bent angle .....	0° to 15°	
Power supply .....	8 to 16	V
Operating temperature range.....	-20 to 120	°C
Connector type.....	AMP Junior 2 ways minitimer	
Weight.....	35	g

(\*) > 0.8 MPa with supply voltage > 8 V

### Dimensions



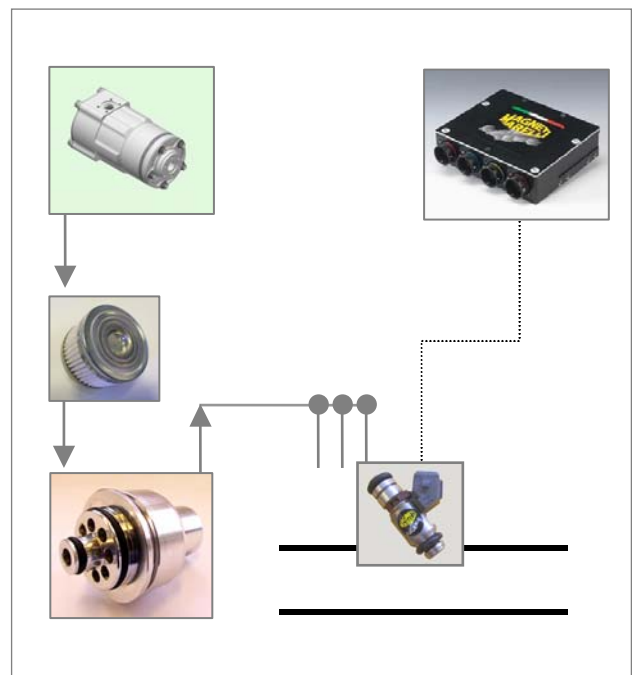
Dimensions in millimetres

### IWPR Family

Injector	IWPR1	IWPR2	IWPR3	IWPR4	IWPR5	IWPR6	
Nominal pressure	1000	1000	1000	1000	1000	1000	kPa
Static flow rate	690	935	740	1005	485	1160	cm <sup>3</sup> /min
Spray shape	Single spray	Single spray	Single spray	Twin jet	Helliptical cone	Single spray	

**Note:** flow rate in n-heptane

### Application Schematics



For further information, please contact:



**MAGNETI MARELLI**  
Magneti Marelli S.p.A.  
Motorsport  
Viale Aldo Borletti, 61/63  
20011 Corbetta (Milano) Italy

Tel. +39 02 972 27 478  
Fax +39 02 972 27 570  
sales@magnetimarelli.com  
http://www.magnetimarelli.com

November 2010  
rel. 07  
page 2 of 2