

## IWP

Pico Top Feed Racing Injector  
Up to 0.5 MPa - Up to 0.66 L/min

### Description

The IWP "Pico" top feed injector is a standard production component, tested and selected for racing applications.

The characteristics of the injector are a fast pulse response, high precision, high dynamic range and optimum fuel atomization. These are achieved by a high performance ON-OFF actuating electromagnet with opposing expansion poles that moves an internal injector valve on high-precision ground cylindrical slides, and a high precision nozzle.

The injector has a stainless steel body, a fuel-resistant plastic connector, martensitic stainless steel internal valve and an electromagnet with a low carbon content stainless steel armature.

The electrical connection to the control unit is via a Mini-Timer plastic plug.



### Main Features

- Pressure range ..... 0.3 to 0.5 MPa
- Static flow range ..... 0.33 to 0.66 L/min
- Driver current ..... 0.8 A
- Spray shape ..... single spray or twin jet

### Benefits

- Methanol
- Multihole spray shaping
- On off driven
- High precision
- Small dimension & weight

### Typical Applications

In professional circuit and rally applications  
Touring car

# INJECTORS

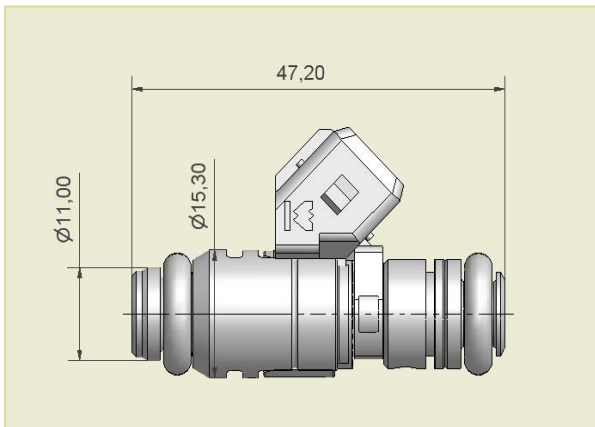
## IWP

Pico Top Feed Racing Injector  
Up to 0.5 MPa - Up to 0.66 L/min

### Technical Characteristics

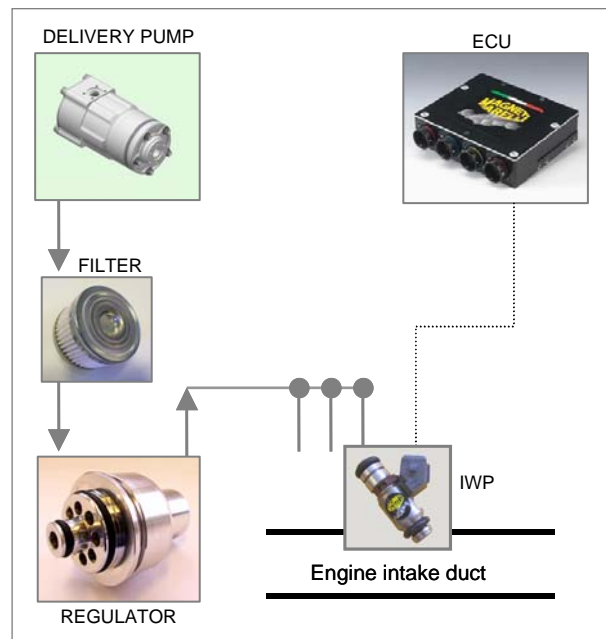
Pressure range .....	0.3 to 0.5	MPa
Static flow range .....	0.33 to 0.66	L/min
Driver current .....	0.8	A
Spray type .....	multihole	
Spray shape .....	single spray or twin jet	
Power supply .....	8 to 16	V
Operating temperature range.....	-30 to 110	°C
Connector type.....	AMP Junior 2 ways minitimer	
Weight.....	35	g

### Dimensions



Dimensions in millimetres

### Application Schematics



### IWP Family

Injector	IWP043	IWP063	IWP145	IWP069	IWP162	IWP189	
Nominal pressure	500	500	500	300	400	300	kPa
Static flow rate	421.1	498.3	658	482,5	377,2	510,5	cm <sup>3</sup> /min
Spray shape	Single spray	Twin jet	Twin jet	Single spray	Single spray	Cone spray	

For further information, please contact:

IWP-0638XXXXXXXXX00



**Magneti Marelli S.p.A.**  
Motorsport  
Viale Aldo Borletti, 61/63  
20011 Corbetta (Milano) Italy

Tel. +39 02 972 27 478  
Fax +39 02 972 27 570  
sales@magnetimarelli.com  
http://www.magnetimarelli.com

November 2010  
rel. 06  
page 2 of 2